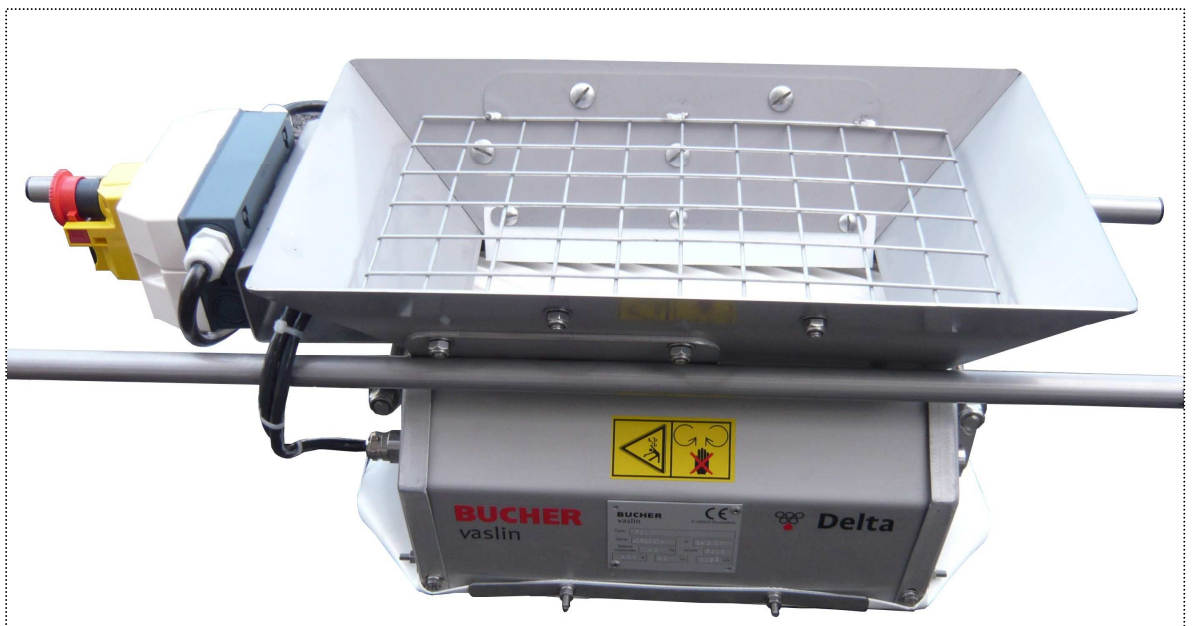




Delta FC 1



Delta FC 1

The crushing of destemmed and sorted grape is essential for the quality of the future wine, especially red one.

The crushing enables the bursting of berries without crushing the seeds and damaging the pulp.

Compact and light, the Delta FC 1 crusher is adaptable to many different configurations: underneath the Delta E1/Delta E2 or Delta Oscillys 100 destemmer, for the Delta TRV or Delta TBE sorting table outlet, on the Delta PMV pump or on a pumping container, on the top of the tank.



Technical characteristics

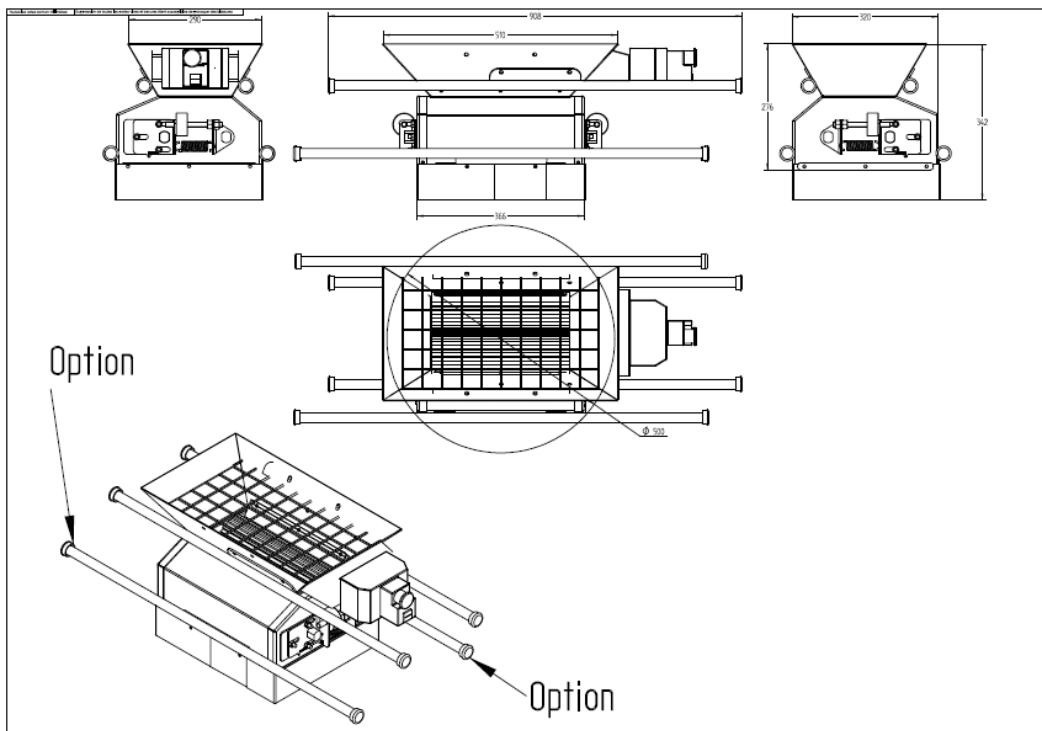
Delta FC 1 crusher with standard hopper

- Maximal flow rate with destemmed grape: 8 t/h.
- 2 polyurethane rollers with adjustable space.
- 2 chain drums of 0,225 Kw each.
- Silent functioning.
- Weight: 35 kg.
- Safety grid inside the hopper.

Options

- Bearing bars in low position to place the crusher on a pump or in high position to put it in a tank door of 500 mm diameter.

Delta FC1 crusher for positioning on the top of the tank or on one press door



Distribué par :

Bucher Vaslin
Rue Gaston Bernier – BP 70028
F - 49290 Chalonnes sur Loire
Tél. +33 (0)2 41 74 50 50
Fax +33 (0)2 41 74 50 51
E-mail : commercial@buchervaslin.com

www.buchervaslin.com
Votre réussite est notre priorité