



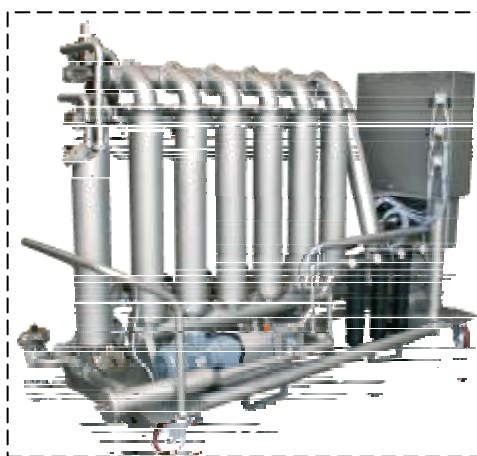
## Flavy FX 5 / 6 / 8 / 10



Flavy FX 6

**The range of Flavy FX 5, FX 6, FX 8 and FX 10 cross-flow filter is the best answer to large wineries and co - operatives.**

- Respect of the wine organoleptic quality as structure, color, aromas...
- Minimal wine losses thanks to the inert gas "pushing process" at the end of filtration.
- Decrease of the wine oxidation thanks to the absence of oxygen in the filter unit.
- Fully automatic filtration process, including the resumption of the retentate filtration when using an external tank (in option).
- Optimized price per gallon or per liter.
- Dead volumes designed to reduce wine losses and water consumption.



Flavy FX6

## Technical characteristics

Model	Number of modules	Filtration surface (m <sup>2</sup> )	Length (mm)	Height (mm)	Width (mm)	Empty weight (kg)	Power (kw)
<b>Flavy FX 5</b>	5	60	2922	990	1939	750	17.2
<b>Flavy FX 6</b>	6	72	2922	990	1939	800	17.2
<b>Flavy FX 8</b>	8	96	2966	1200	2120	1000	23
<b>Flavy Fx 10</b>	10	120	3242	1200	2120	1200	25

Flavy FX 5/6/8/10 models are delivered with a washing products distributor and Flavy FX8/10 models with a turbidimeter.

## Fitting dimensions

- Wine in / out: DIN 50.
- Retentate and back flush output: DIN 50.
- Water fittings: F 1 ¼ " Gaz.
- Air / Nitrogen fittings: 10 bar, F ¼ " Gaz.
- Equipression fittings: F ¾ " Gaz.

## Average flows obtained during trials

Wines	Flavy FX 5	Flavy FX 6	Flavy Fx 8	Flavy Fx 10
Dry white wine*	40 - 60 hl/h	48 - 72 hl/h	64 - 96 hl/h	80 - 120 hl/h
Gross Rose wine*	35 hl/h	42 hl/h	56 hl/h	70 hl/h
Red wine*	20 - 35 hl/h	24 - 42 hl/h	32 - 56 hl/h	40 - 70 hl/h

\*Results for information only – to be confirmed

## Options

- Turbidimeter (on Flavy FX5/6).
- Water prefilters (5µm and 1µm).
- Sparkling wines.
- In-line UF bentonite injection.
- Conductivity probe.
- Tank management with 3 input valves and 3 output valves.
- Automatic resumption of external tank.
- Retentate and water tanks built on for CT or CE version (for Flavy FX8/10).

Distributed by :

### Bucher Vaslin

Rue Gaston Bernier – BP 70028  
F - 49290 Chalonnes sur Loire  
Tél. +33 (0)2 41 74 50 50  
Fax +33 (0)2 41 74 50 51  
E-mail : commercial@buchervaslin.com

[www.buchervaslin.com](http://www.buchervaslin.com)  
**Your success is our priority**